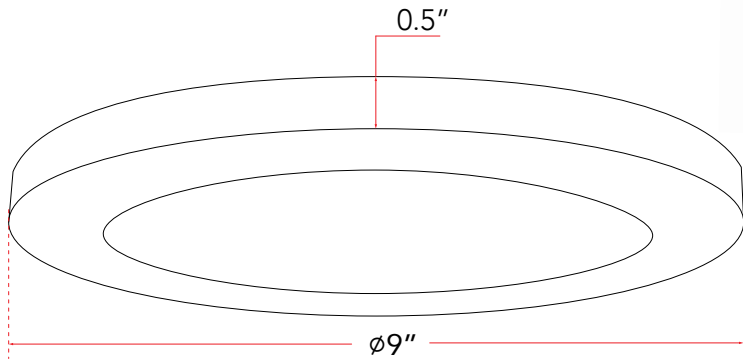




ABRA MODEL **30021FM-WH** Edge lit slim wet location flushmount  
 FAMILY NAME **SLIM** UPC 00810035192065



| FIXTURE MATERIAL |                      |               |                 | DIMENSIONS IN INCHES |        |       |       |        |     |     | CERTIFICATION |          |              |            |
|------------------|----------------------|---------------|-----------------|----------------------|--------|-------|-------|--------|-----|-----|---------------|----------|--------------|------------|
| Frame Material   | Finishes Available   | Diffuser Type | Diffuser Finish | Diameter             | Height | o.a.h | Width | Length | Ext | ADA | Label         | Location | Rating       | Compliance |
| Metal            | WH-White<br>BL-Black | Acrylic       | White           | 9                    | 0.5    | 0.5   |       |        |     |     | cETL          | Ceiling  | Wet Location | cETL       |

| LAMPING   |          |         |             |        |        |     |                 |                   |         | COMPATIBLE DIMMER'S | J-BOX TYPE      | SUPPLIED |
|-----------|----------|---------|-------------|--------|--------|-----|-----------------|-------------------|---------|---------------------|-----------------|----------|
| Lamp Type | Lamp qty | Wattage | Max Wattage | Base   | Kelvin | CRI | Initial Lumen's | Delivered Lumen's | Voltage |                     |                 |          |
| LED       | 1        | 15w     | 15w         | Module | 3000k  | 90  | 1275            | 893 estimated     | 120v    | ELV,CL              | 4 x 4 Octagonal |          |

| SPECIAL NOTES |  |  |  |  |  |  |  |  |  |  |  |  |
|---------------|--|--|--|--|--|--|--|--|--|--|--|--|
|               |  |  |  |  |  |  |  |  |  |  |  |  |